

# CASTOR CATALOGUE



## CONTENTS

## PAGE

### CASTOR AND WHEEL SELECTION

1

**CASTOR SERIES HD** MEDIUM AND HEAVY DUTY INDUSTRIAL CASTORS

2

**CASTOR SERIES SD** STANDARD DUTY INDUSTRIAL CASTORS

3, 4 and 5

**CASTOR SERIES SS** STAINLESS STEEL CASTORS

6 and 7

**CASTOR SERIES TB** CASTORS FOR CATERING AND INSTITUTIONAL USE

8

**CASTOR SERIES LD** CASTORS FOR LIGHT INDUSTRIAL AND DISPLAY USE

9

**CASTOR SERIES FUR** CASTORS AND GLIDES FOR THE FURNITURE INDUSTRY

10 and 11

**SERIES WH** WHEELS FOR HAND TRUCK AND INDUSTRIAL USE

12

**SERIES ST** SACK TRUCKS

13

**SERIES INS** PLASTIC INSERTS AND ADJUSTABLE LEVELLING FEET

14 and 15

# CASTOR AND WHEEL SELECTION



## CASTOR SELECTION

### LOAD CAPACITIES

In order to choose the correct castor it is necessary to determine the total unit load to be moved. This is calculated by adding the weight of the trolley to the weight of the load on the trolley and dividing the total by the number of castors in use. As a general rule we recommend that the total weight be divided by 3 (instead of 4) to allow for average industrial use where floors may be uneven or of a poor quality.

**NOTE** : Load capacities quoted in the tables relate to ideal working conditions and do not take account of overloading or shock loading. Load capacities quoted assume that the floors are non-abrasive and free from cracks and other obstacles.

**CASTOR CONFIGURATION** : The castor configuration will depend upon the directional control and level of manoeuvrability required.

**4 SWIVEL** : Good manoeuvrability with side motion but straight line steering more difficult.

**2 SWIVEL & 2 FIXED** : Good directional control with fixed castors in leading position.

**4 FIXED** : An economical configuration where there are few changes in direction required.

## WHEEL SELECTION

<b>NYLON:</b>	Nylon wheels provide medium to high load capacity and low rolling resistance. Good performance where water, oil, organic solvents and dilute acids are present. <b>Temperature Range</b> : -20C to +65C.
<b>RUBBER :</b>	Rubber wheels provide low to medium load capacity and good floor protection. Grey rubber wheels are recommended for non-marking of floors. Not suitable where oils and chemicals are present. <b>Temperature Range</b> : -20C to +60C
<b>GREY THERMOPLASTIC:</b>	Grey Thermoplastic wheels provide low to medium load capacity with good floor protection. A good choice for institutional use. <b>Temperature Range</b> : -10C to +50C.
<b>POLYURETHANE :</b>	Polyurethane tread on cast iron wheels are suitable for continuous and heavy duty use. Suitable for all types of floors. Polyurethane tread on plastic centre provide medium load capacity and are resistant to tearing, cutting and grit pick-up. Longer life than standard nylon wheels. <b>Temperature Range</b> : -20C to +80C.
<b>BLUE ELASTIC</b>	Blue elastic wheels on plastic centre provide medium load capacity with good resistance to wear and shock absorption. Suitable for hard or non-compact floors. <b>Temperature Range</b> : -10C to +60C.
<b>HEAT RESISTANT</b>	Heat resistant wheels are moulded in phenolic resin and are asbestos free. Suitable for bakeries and high temperature processes. <b>Temperature Range</b> : -30C to +260C.
<b>ANTISTATIC</b>	Antistatic wheels have very high electrical conductivity resistance and are lower than the international standard of 10 Kohms. For use where static cannot be allowed to build up on the trolley. <b>Temperature Range</b> : -20C to +60C.
<b>CAST IRON</b>	Cast iron wheels provide high load capacity with shock resistance and long life. For use when floor protection is not a factor and unsuitable for stone or ceramic tile. <b>Temperature Range</b> : -40C to +500C.
<b>PNEUMATIC</b>	Pneumatic wheels provide low load capacity with good floor protection. These wheels protect loads against bumps and are ideal for the movement of fragile items. <b>Temperature Range</b> : -10C to +60C.

# CASTOR SERIES : HD



**A RANGE OF CASTORS FOR MEDIUM AND HEAVY DUTY INDUSTRIAL USE**

HOUSINGS AVAILABLE
ZINC PLATED PRESSED STEEL or FABRICATED WELDED WITH TOP PLATE FITTING



PLATE SIZES		
Diameter	PLATE SIZE   HOLE SPACING	
100 and 125mm	105x85mm	80x60mm
150 and 200mm	135x110mm	105x80mm
250mm(TP Type)	135x110mm	105x80mm
250mm(AG Type)	205x160mm	160x120mm

Wheel Dia mm	Overall Height mm	Wheel Type	Wheel Code	Wheel Bearing	Wheel Hub LxD.	Load Cap. Kgs.	Swivel Plate Code	Fixed Plate Code	Brake Plate Code
100	130	Polyurethane on Cast Iron	AGPU4W	Ball	30x15	225	AGPU4S	AGPU4F	AGPU4BR
		Heavy Duty Nylon	AGNB4W	Ball	40x15	225	AGNB4S	AGNB4F	AGNB4BR
		Cast Iron	AGCI4W	Plain	40x12	225	AGCI4S	AGCI4F	N/A
125	155	Polyurethane on Cast Iron	AGPU5W	Ball	35x15	280	AGPU5S	AGPU5F	AGPU5BR
		Cast Iron	AGCI5W	Plain	50x15	280	AGCI5S	AGCI5F	N/A
150 Pressed Steel	200	Polyurethane on Cast Iron	AGPU6W	Ball	60x20	500	AGPU6S	AGPU6F	AGPU6BR
		Heavy Duty Nylon	AGNB6W	Ball	60x20	450	AGNB6S	AGNB6F	AGNB6BR
		Cast Iron	AGCI6W	Plain	60x20	500	AGCI6S	AGCI6F	N/A
150 Welded	190	Polyurethane on Cast Iron	AGPU6W	Ball	60x20	400	FGPU6S	FGPU6F	FGPU6BR
		Heavy Duty Nylon	AGNB6W	Ball	60x20	400	FGNB6S	FGNB6F	FGNB6BR
		Cast Iron	AGCI6W	Plain	60x20	400	FAGCI6S	FAGCI6F	N/A
200 Pressed Steel	245	Polyurethane on Cast Iron	AGPU8W	Ball	60x20	700	AGPU8S	AGPU8F	AGPU8BR
		Heavy Duty Nylon	AGNB8W	Ball	60x20	600	AGNB8S	AGNB8F	AGNB8BR
		Cast Iron	AGCI8W	Plain	60x20	700	AGCI8S	AGCI8F	N/A
200 Welded	240	Polyurethane on Cast Iron	AGPU8W	Ball	60x20	600	FGPU8S	FGPU8F	N/A
		Heavy Duty Nylon	AGNB8W	Ball	60x20	600	FGNB8S	FGNB8F	N/A
		Cast Iron	AGCI8W	Plain	60x20	600	FGCI8S	FGCI8F	N/A
250	325	Polyurethane on Cast Iron	AGPU10W	Ball	60x25	1000	AGPU10S	AGPU10F	AGPU10BR
	315	Polyurethane on Cast Iron	AGPU10W	Ball	60x25	750	TPI10S	TPI10F	TPI10BR

Patrick Cody Ltd.

E-mail: [sales@patrickcody.com](mailto:sales@patrickcody.com)

# CASTOR SERIES : SD



DIAMETERS : 80, 100 and 125mm

**A RANGE OF CASTORS FOR STANDARD DUTY INDUSTRIAL USE**

## HOUSINGS TYPE

ZINC PLATED PRESSED STEEL WITH  
FOUR HOLE TOP PLATE FITTING



## PLATE SIZES-DIAMETERS 80,100,125mm

PLATE SIZE | HOLE SPACING

105x80mm | 80x60mm

Wheel Dia. mm	Overall Height mm	Wheel Type	Wheel Code	Wheel Bearing	Wheel Hub LxD.	Load Cap. Kgs.	Swivel Plate Code	Fixed Plate Code	Brake Plate Code
80	106	White Nylon	ENP3W	Plain	40x12	120	ENP3S	ENP3F	ENP3BR
		Black Rubber on Plastic	EPB3W	Plain	40x12	50	EPB3S	EPB3F	EPB3BR
		Grey Rubber on Plastic	EPG3W	Plain	40x12	50	EPG3S	EPG3F	EPG3BR
		Grey Thermoplastic	ETG3W	Plain	40x12	60	ETG3S	ETG3F	ETG3BR
		Black Rubber on Steel	ESB3W	Roller	40x12	50	ESB3S	ESB3F	ESB3BR
		Grey Rubber on Steel	ESG3W	Roller	40x12	50	ESG3S	ESG3F	ESG3BR
		Polyurethane on Plastic	EPP3W	Plain	40x12	120	EPP3S	EPP3F	EPP3BR
		Polyurethane on Plastic	EPR3W	Roller	40x12	120	EPR3S	EPR3F	EPR3BR
		Blue Elastic	EBE3W	Roller	40x12	100	EBE3S	EBE3F	EBE3BR
		Black Antistatic on Steel	EAS3W	Roller	40x12	50	EAS3S	EAS3F	EAS3BR
		Grey Antistatic on Plastic	EAP3W	Plain	40x12	60	EAP3S	EAP3F	EAP3BR
100	127	White Nylon	ENY4W	Plain	40x12	150	ENY4S	ENY4F	ENY4BR
		Black Rubber on Plastic	EPB4W	Plain	40x12	70	EPB4S	EPB4F	EPB4BR
		Grey Rubber on Plastic	EPG4W	Plain	40x12	70	EPG4S	EPG4F	EPG4BR
		Grey Thermoplastic	ETG4W	Plain	40x12	80	ETG4S	ETG4F	ETG4BR
		Black Rubber on Steel	ESB4W	Roller	40x12	70	ESB4S	ESB4F	ESB4BR
		Grey Rubber on Steel	ESG4W	Roller	40x12	70	ESG4S	ESG4F	ESG4BR
		Polyurethane on Plastic	EPP4W	Plain	40x12	150	EPP4S	EPP4F	EPP4BR
		Polyurethane on Plastic	EPR4W	Roller	40x12	150	EPR4S	EPR4F	EPR4BR
		Blue Elastic	EBE4W	Roller	40x12	130	EBE4S	EBE4F	EBE4BR
		Black Antistatic on Steel	EAS4W	Roller	40x12	70	EAS4S	EAS4F	EAS4BR
		Grey Antistatic on Plastic	EAP4W	Plain	40x12	80	EAP4S	EAP4F	EAP4BR
Heat Resistant	EHR4W	Plain	40x12	100	EHR4S	EHR4F	EHR4BR		
125	155	White Nylon	ENR5W	Roller	48x15	180	ENR5S	ENR5F	ENR5BR
		Black Rubber on Plastic	EPB5W	Plain	48x15	100	EPB5S	EPB5F	EPB5BR
		Grey Rubber on Plastic	EPG5W	Plain	48x15	100	EPG5S	EPG5F	EPG5BR
		Grey Thermoplastic	ETG5W	Plain	48x15	120	ETG5S	ETG5F	ETG5BR
		Black Rubber on Steel	ESB5W	Plain	48x15	100	ETG5S	ETG5F	ETG5BR
		Grey Rubber on Steel	ESG5W	Roller	48x15	100	ESB5S	ESB5F	ESB5BR
		Polyurethane on Plastic	EPP5W	Roller	45x15	180	ESG5S	ESG5F	ESG5BR
		Polyurethane on Plastic	EPR5W	Plain	45x15	180	EPP5S	EPP5F	EPP5BR
		Blue Elastic	EBE5W	Roller	48x15	150	EPR5S	EPR5F	EPR5BR
		Black Antistatic on Steel	EAS5W	Roller	48x15	100	EBE5S	EBE5F	EBE5BR
		Heat Resistant	EHR5W	Plain	48x15	130	EHR5S	EHR5F	EHR5BR

# CASTOR SERIES : SD



DIAMETERS : 160, 200 and 250mm

**A RANGE OF CASTORS FOR STANDARD DUTY INDUSTRIAL USE**

HOUSINGS TYPE	
ZINC PLATED PRESSED STEEL WITH FOUR HOLE TOP PLATE FIXING	
PLATE SIZES-DIAMETERS 160,200,250mm	
PLATE SIZE	HOLE SPACING
135x110mm	105x80mm



Wheel Dia mm	Overall Height mm	Wheel Type	Wheel Code	Wheel Bearing	Wheel Hub LxB.	Load Cap. Kgs	Swivel Plate Code	Fixed Plate Code	Brake Plate Code
160	190	White Nylon	ENR6W	Roller	58x20	300	ENR6S	ENR6F	ENR6BR
		Black Rubber on Plastic	EPB6W	Plain	58x20	130	EPB6S	EPB6F	EPB6BR
		Grey Rubber on Plastic	EPG6W	Plain	58x20	130	EPG6S	EPG6F	EPG6BR
		Black Rubber on Steel	ESB6W	Roller	58x20	130	ESB6S	ESB6F	ESB6BR
		Grey Rubber on Steel	ESG6W	Roller	58x20	130	ESG6S	ESG6F	ESG6BR
		Polyurethane on Plastic	EPP6W	Plain	58x20	300	EPP6S	EPP6F	EPP6BR
		Polyurethane on Plastic	EPR6W	Roller	58x20	300	EPR6S	EPR6F	EPR6BR
		Blue Elastic on Plastic	EBE6W	Roller	58x20	280	EBE6S	EBE6F	EBE6BR
		Black Antistatic on Steel	EAS6W	Roller	58x20	130	EAS6S	EAS6F	EAS6BR
		Heat Resistant	EHR6W	Plain	58x20	160	EHR6S	EHR6F	EHR6BR
200	235	White Nylon	ENR8W	Roller	58x20	320	ENR8S	ENR8F	ENR8BR
		Black Rubber on Plastic	EPB8W	Plain	58x20	180	EPB8S	EPB8F	EPB8BR
		Grey Rubber on Plastic	EPG8W	Plain	58x20	180	EPG8S	EPG8F	EPG8BR
		Black Rubber on Steel	ESB8W	Roller	58x20	180	ESB8S	ESB8F	ESB8BR
		Grey Rubber on Steel	ESG8W	Roller	58x20	180	ESG8S	ESG8F	ESG8BR
		Polyurethane on Plastic	EPP8W	Plain	58x20	320	EPP8S	EPP8F	EPP8BR
		Polyurethane on Plastic	EPR8W	Roller	58x20	320	EPR8S	EPR8F	EPR8BR
		Blue Elastic on Plastic	EBE8W	Roller	58x20	300	EBE8S	EBE8F	EBE8BR
		Black Antistatic on Steel	EAS8W	Roller	58x20	180	EAS8S	EAS8F	EAS8BR
		Heat Resistant	EHR8W	Plain	58x20	200	EHR8S	EHR8F	EHR8BR
		Pneumatic on Plastic	EPN8W	Roller	58x20	60	EPN8S	EPN8F	EPN8BR
250	290	Black Rubber on Steel	ESB10W	Roller	58x20	200	ESB10S	ESB10F	ESB10BR
		Pneumatic on Plastic	WPP10RB20	Roller	75x20	80	EPNP10S	EPNP10F	N/A
		Flat Free Pneumatic on Plastic	WPP10FF20	Roller	75x20	100	EPNFF10S	EPNFF10F	N/A
		Pneumatic on Steel	WPM10RB20	Roller	75x20	80	EPNM10S	EPNM10F	N/A

Patrick Cody Ltd.

E-mail: [sales@patrickcody.com](mailto:sales@patrickcody.com)

Phone: 0505-43154

Page 4

Fax: 0505-43110

# CASTOR SERIES : SD



DIAMETERS : 80, 100 and 125mm

**A RANGE OF CASTORS FOR STANDARD DUTY INDUSTRIAL USE**

**HOUSING TYPE**  
**ZINC PLATED PRESSED STEEL WITH BOLT HOLE FITTING OR EXPANDER TYPE FITTINGS**



**DIAMETERS 80, 100 and 125mm**

BOLT HOLE DIA.	EXPANDER FITTINGS
10.5mm or 12.5mm	Round: 17,19,21,24 and 26mm Square: 17,22,27 and 37mm

Wheel Dia. mm	Overall Height mm	Wheel Type	Wheel Code	Wheel Bearing	Wheel Hub LxD.	Load Cap. Kgs.	Swivel Bolt Hole Code	Brake Bolt Hole Code
80	106	White Nylon	ENY3W	Plain	40x12	120	BENP3S	BENP3BR
		Black Rubber on Plastic	EPB3W	Plain	40x12	50	BEPB3S	BEPB3BR
		Grey Rubber on Plastic	EPG3W	Plain	40x12	50	BEPG3S	BEPG3BR
		Grey Thermoplastic	ETG3W	Plain	40x12	60	BETG3S	BETG3BR
		Black Rubber on Steel	ESB3W	Roller	40x12	50	BESB3S	BESB3BR
		Grey Rubber on Steel	ESG3W	Roller	40x12	50	BESB3S	BESB3BR
		Polyurethane on Plastic	EPP3W	Plain	40x12	120	BEPP3S	BEPP3BR
		Polyurethane on Plastic	EPR3W	Roller	40x12	120	BEPR3S	BEPR3BR
		Blue Elastic	EBE3W	Roller	40x12	100	BEBE3S	BEBE3BR
		Black Antistatic on Steel	EAS3W	Roller	40x12	50	BEAS3S	BEAS3BR
Grey Antistatic on Plastic	EAP3W	Plain	40x12	50	BEAP3S	BEAP3BR		
100	127	White Nylon	ENY4W	Plain	40x12	140	BENPS	BENP4BR
		Black Rubber on Plastic	EPB4W	Plain	40x12	70	BEPB4S	BEPB4BR
		Grey Rubber on Plastic	EPG4W	Plain	40x12	70	BEPG4S	BEPG4BR
		Grey Thermoplastic	ETG4W	Plain	40x12	80	BETG4S	BETG4BR
		Black Rubber on Steel	ESB4W	Roller	40x12	70	BESB4S	BESB4BR
		Grey Rubber on Steel	ESG4W	Roller	40x12	70	BESG4S	BESG4BR
		Polyurethane on Plastic	EPP4W	Plain	40x12	140	BEPP4S	BEPP4BR
		Polyurethane on Plastic	EPR4W	Roller	40x12	140	BEPR4S	BEPR4BR
		Blue Elastic	EBE4W	Roller	40x12	130	BEBE4S	BEBE4BR
		Black Antistatic on Steel	EAS4W	Roller	40x12	70	BEAS4S	BEAS4BR
Grey Antistatic on Plastic	EAP4W	Plain	40x12	70	BEAP4S	BEAP4BR		
Heat Resistant	EHR4W	Plain	40x12	100	BEHR4S	BEHR4BR		
125	155	White Nylon	ENP5W	Roller	48x15	150	BENP5S	BENP5BR
		Black Rubber on Plastic	EPB5W	Plain	48x15	100	BEPB5S	BEPB5BR
		Grey Rubber on Plastic	EPG5W	Plain	48x15	100	BEPG5S	BEPG5BR
		Grey Thermoplastic	ETG5W	Plain	48x15	100	BETG5S	BETG5BR
		Black Rubber on Steel	ESB5W	Roller	48x15	100	BESB5S	BESB5BR
		Grey Rubber on Steel	ESG5W	Roller	48x15	100	BESG5S	BESG5BR
		Polyurethane on Plastic	EPP5W	Plain	45x15	150	BEPP5S	BEPP5BR
		Polyurethane on Plastic	EPR5W	Roller	45x15	150	BEPR5S	BEPR5BR
		Blue Elastic	EBE5W	Roller	48x15	150	BEBE5S	BEBE5BR
		Black Antistatic on Steel	EAS5W	Roller	48x15	100	BEAS5S	BEAS5BR
Heat Resistant	EHR5W	Plain	48x15	130	BEHR5S	BEHR5BR		

Note: We also stock 6" and 8" Bolt on Castors - Please contact our sales office for more information

Patrick Cody Ltd.

E-mail: sales@patrickcody.com

Page 5

Phone: 0505-43154

Fax: 0505-43110

# CASTOR SERIES : SS



## A RANGE OF CASTORS WITH STAINLESS STEEL HOUSINGS

**HOUSINGS AVAILABLE**  
**STAINLESS STEEL HOUSINGS WITH FOUR HOLE TOP PLATE FITTING**



DIAMETER	PLATE SIZE	HOLE SPACING
80, 100, 125mm	100x85mm	80x60mm
160, 200mm	135x110mm	105x80mm

(\* - Note: centre of Black anti-static wheel is zinc plated steel)

Wheel Dia mm	Overall Height mm	Wheel Type	Wheel Code	Wheel Bearing	Wheel Hub L.xB.	Load Cap. Kgs.	Swivel Plate Code	Fixed Plate Code	Brake Plate Code
80	108	White Nylon	ENY3W	Plain	40x12	120	KMNP3S	KMNP3F	KMNP3BR
		Black Rubber on Plastic	EPB3W	Plain	40x12	50	KMPB3S	KMPB3F	KMPB3BR
		Grey Rubber on Plastic	EPG3W	Plain	40x12	50	KMPG3S	KMPG3F	KMPG3BR
		Grey Thermoplastic	ETG3W	Plain	40x12	60	KMTG3S	KMTG3F	KMTG3BR
		Polyurethane on Plastic	EPP3W	Plain	40x12	120	KMPP3S	KMPP3F	KMPP3BR
		Polyurethane on Plastic	EPR3W	S/S Roller	40x12	120	KMPR3S	KMPR3F	KMPR3BR
		Black Antistatic on Steel*	EAS3W	Roller	40x12	50	KMAS3S	KMAS3F	KMAS3BR
		Grey Antistatic on Plastic	EAP3W	Plain	40x12	60	KMAP3S	KMAP3F	KMAP3BR
100	130	White Nylon	ENY4W	Plain	40x12	150	KMNP4S	KMNP4F	KMNP4BR
		Black Rubber on Plastic	EPB4W	Plain	40x12	70	KMPB4S	KMPB4F	KMPB4BR
		Grey Rubber on Plastic	EPG4W	Plain	40x12	70	KMPG4S	KMPG4F	KMPG4BR
		Grey Thermoplastic	ETG4W	Plain	40x12	80	KMTG4S	KMTG4F	KMTG4BR
		Polyurethane on Plastic	EPP4W	Plain	40x12	150	KMPP4S	KMPP4F	KMPP4BR
		Polyurethane on Plastic	EPR4W	S/S Roller	40x12	150	KMPR4S	KMPR4F	KMPR4BR
		Black Antistatic on Steel*	EAS4W	Roller	40x12	50	KMAS4S	KMAS3F	KMAS3BR
		Grey Antistatic on Plastic	EAP4W	Plain	40x12	80	KMAP4S	KMAP4F	KMAP4BR
		Heat Resistant	EHR4W	Plain	40x12	100	KMHR4S	KMHR4F	KMHR4BR
125	150	White Nylon	ENY5W	Plain	48x15	180	KMNP5S	KMNP5F	KMNP5BR
		Black Rubber on Plastic	EPB5W	Plain	48x15	100	KMPB5S	KMPB5F	KMPB5BR
		Grey Rubber on Plastic	EPG5W	Plain	48x15	100	KMPG5S	KMPG5F	KMPG5BR
		Polyurethane on Plastic	EPP5W	Plain	45x15	180	KMPP5S	KMPP5F	KMPP5BR
		Polyurethane on Plastic	EPR5W	S/S Roller	45x15	180	KMPR5S	KMPR5F	KMPR4BR
		Heat Resistant	EHR5W	Plain	48x15	130	KMHR5S	KMHR5F	KMHR5BR
160	190	White Nylon	ENY6W	Plain	58x20	300	KMNP6S	KMNP6F	KMNP6BR
		Black Rubber on Plastic	EPB6W	Plain	58x20	130	KMPB6S	KMPB6F	KMPB6BR
		Grey Rubber on Plastic	EPG6W	Plain	58x20	130	KMPG6S	KMPG6F	KMPG6BR
		Polyurethane on Plastic	EPP6W	Plain	58x20	300	KMPP6S	KMPP6F	KMPP6BR
		Polyurethane on Plastic	EPR6W	S/S Roller	58x20	300	KMPR6S	KMPR6F	KMPR6BR
		Heat Resistant	EHR6W	Plain	58x20	160	KMHR6S	KMHR6F	KMHR6BR
200	235	White Nylon	ENY8W	Plain	58x20	320	KMNP8S	KMNP8F	KMNP8BR
		Black Rubber on Plastic	EPB8W	Plain	58x20	180	KMPB8S	KMPB8F	KMPB8BR
		Grey Rubber on Plastic	EPG8W	Plain	58x20	180	KMPG8S	KMPG8F	KMPG8BR
		Polyurethane on Plastic	EPP8W	Plain	58x20	320	KMPP8S	KMPP8F	KMPP8BR
		Polyurethane on Plastic	EPR8W	S/S Roller	58x20	320	KMPR8S	KMPR8F	KMPR8BR
		Heat Resistant	EHR8W	Plain	58x20	200	KMHR8S	KMHR8F	KMHR8BR

# CASTOR SERIES : SS



DIAMETERS : 80, 100 and 125mm

## A RANGE OF CASTORS WITH STAINLESS STEEL HOUSINGS

HOUSING TYPE
STAINLESS STEEL HOUSINGS WITH BOLT HOLE OR EXPANDER FITTING

DIAMETERS 80, 100 and 125mm	
BOLT HOLE DIA. 10.5mm or 12.5mm	EXPANDER FITTINGS Round: 16,19,21,24 and 26mm Square: 17,22,27 and 37mm



(\* - Note: centre of Black anti-static wheel is zinc plated steel)

Wheel Dia mm	Overall Height mm	Wheel Type	Wheel Code	Wheel Bearing	Wheel Hub LxB.	Load Cap. Kgs.	Swivel Bolt Hole Code	Brake Bolt Hole Code
80	108	White Nylon	ENP3W	Plain	40x12	100	BKENP3S	BKEP3BR
		Black Rubber on Plastic	EPB3W	Plain	40x12	50	BKEPB3S	BKEPB3BR
		Grey Rubber on Plastic	EPG3W	Plain	40x12	50	BKEPG3S	BKEPG3BR
		Grey Thermoplastic	ETG3W	Plain	40x12	60	BKETG3S	BKETG3BR
		Polyurethane on Plastic	EPP3W	Plain	40x12	100	BKEPP3S	BKEPP3BR
		Polyurethane on Plastic	EPR3W	S/S Roller	40x12	100	BKEPR3S	BKEPR3BR
		Black Antisatic on Steel*	EAS3W	Roller	40x12	50	BKEAS3S	BKEAS3BR
		Grey Antistatic on Plastic	EAP3W	Plain	40x12	60	BKEAP3S	BKEAP3BR
100	130	White Nylon	ENP4W	Plain	40x12	150	BKENP4S	BKENP4BR
		Black Rubber on Plastic	EPB4W	Plain	40x12	70	BKEPB4S	BKEPB4BR
		Grey Rubber on Plastic	EPG4W	Plain	40x12	70	BKEPG4S	BKEPG4BR
		Grey Thermoplastic	ETG4W	Plain	40x12	80	BKETG4S	BKETG4BR
		Polyurethane on Plastic	EPP4W	Plain	40x12	150	BKEPP4S	BKEPP4BR
		Polyurethane on Plastic	EPR4W	S/S Roller	40x12	150	BKEPR4S	BKEPR4BR
		Black Antisatic on Steel*	EAS3W	Roller	40x12	50	BKEAS3S	BKEAS3BR
		Grey Antistatic on Plastic	EAP3W	Plain	40x12	60	BKEAP3S	BKEAP3BR
		Heat Resistant	EHR4W	Plain	40x12	100	BKEHR4S	BKEHR4BR
125	150	White Nylon	ENP5W	Plain	48x15	150	BKENP5S	BKENP5BR
		Black Rubber on Plastic	EPB5W	Plain	48x15	100	BKEPB5S	BKEPB5BR
		Grey Rubber on Plastic	EPG5W	Plain	48x15	100	BKEPG5S	BKEPG5BR
		Polyurethane on Plastic	EPP5W	Plain	45x15	150	BKEPP5S	BKEPP5BR
		Polyurethane on Plastic	EPR5W	S/S Roller	45x15	150	BKEPR5S	BKEPR5BR
		Heat Resistant	EHR5W	Plain	48x15	130	BKEHR5S	BKEHR5BR



# CASTOR SERIES : TB



**A RANGE OF CASTORS FOR CATERING AND INSTITUTIONAL USE**

**HOUSINGS AVAILABLE**  
**ZINC PLATED PRESSED STEEL with**  
**BOLT HOLE or EXPANDER FITTING**

**BOLT HOLE DIAMETER**  
**ALL SIZES : 10.5mm**

**EXPANDERS**  
**ROUND : 17, 19, 21, 24 and 26mm**  
**SQUARE : 17, 22, 27 and 37mm**



Wheel Dia mm	Overall Height mm	Wheel Type	Wheel Code	Wheel Bearing	Wheel Hub LxB.	Load Cap. Kgs	Swivel Bolt Hole Code	Brake Bolt Hole Code	Swivel Expander Code	Brake Expander Code
50	70	Grey Rubber on Plastic	TB50	Plain	18x6	30	BCPG2S	BCPG2BR	TBE50	TBBE50
		Nylon	TN50	Plain	18x6	40	BCNP2S	BCNP2BR	TNE50	TNBE50
75	95	Grey Rubber on Plastic	TB80	Plain	28x10	50	TBO80	TBBO80	TBE80	TBBE80
		Nylon	TN80	Plain	28x10	50	TNO80	TNBO80	TNE80	TNBE80
100	130	Grey Rubber on Plastic	TB100	Plain	32x12	60	TBO100	TBBO100	TBE100	TBBE100
		Nylon	TN100	Plain	32x12	60	TNO100	TNBO100	TNE100	TNBE100
125	155	Grey Rubber on Plastic	TB125	Plain	32x12	70	TBO125	TBBO125	TBE125	TBBE125
		Nylon	TN125	Plain	32x12	70	TNO125	TNBO125	TNE125	TNBE125

# CASTOR SERIES : LD



**A RANGE OF CASTORS FOR LIGHT INDUSTRIAL AND DISPLAY USE**

**HOUSINGS AVAILABLE**  
**ZINC PLATED PRESSED STEEL HOUSINGS**  
**WITH TOP PLATE OR BOLT HOLE FITTING.**



## SINGLE WHEEL PLATE FITTING CASTORS

Wheel Dia mm	Plate Size mm	Hole Spacing mm	Wheel Type	Overall Height	Load Capacity Kgs	Swivel Plate Code	Fixed Plate Code	Brake Plate Code
50	60 x 60	45 x 45	Nylon	67	40	CNP2S	CNP2F	CNP2BR
50	50 x 50	40 x 40	Grey Rubber	72	30	CPG2S	CPG2F	CPG2BR
50	60 x 60	45 x 45	Grey Thermoplastic	67	35	CPG2S	CPG2F	CPG2BR



## SINGLE WHEEL BOLT HOLE FITTING CASTORS

Wheel Dia mm	Bolt Hole Dia mm	Overall Height mm	Wheel Type	Load Capacity Kgs	Swivel Bolt Hole Code	Brake Bolt Hole Code
50	10.5	72	Nylon	40	BCNP2S	BCNP2BR
50	10.5	67	Grey Thermoplastic	35	BCTG2S	BCTG2BR



## TWIN WHEEL BOLT HOLE FITTING CASTORS

Wheel Dia mm	Bolt Hole Dia mm	Overall Height mm	Wheel Type	Load Capacity Kgs	Swivel Bolt Hole Code	Brake Bolt Hole Code
50	10.5	72	Grey Rubber	60	B2CPG2S	B2CPG2BR
75	10.5	96	Grey Rubber	80	B2CPG3S	B2CPG3BR

# CASTOR SERIES : FUR



**A RANGE OF CASTORS AND GLIDES FOR THE FURNITURE INDUSTRY**



## CASTORS WITH PEG AND SOCKET FITTING

Housing Type	Wheel Dia. mm	Overall Height mm	Wheel Type	Load Capacity Kgs	Castor Code
PRESSED STEEL	32	42	SINGLE BLACK POLYPROPELENE	25	097140
PRESSED STEEL	40	50	SINGLE BLACK POLYPROPELENE	30	097580
PRESSED STEEL	40	50	TWIN BLACK POLYPROPELENE	40	097581
NYLON	40	50	TWIN BLACK NYLON	30	090401



## CASTORS WITH PLATE FITTING (38mm x 38mm)

Housing Type	Wheel Dia. mm	Overall Height mm	Wheel Type	Load Capacity Kgs	Castor Code
NYLON	40	52	TWIN BLACK NYLON SWIVEL	30	090400
NYLON	50	62	TWIN BLACK NYLON SWIVEL	40	090500
NYLON	50	62	TWIN BLACK NYLON BRAKE	40	090506



## CASTORS WITH THREADED STEM FITTING

Housing Type	Wheel Dia. mm	Overall Height mm	Wheel Type	Load Capacity Kgs	Castor Code
NYLON	40	52	TWIN BLACK NYLON SWIVEL (M8 x 15mm)	30	090402
NYLON	50	62	TWIN BLACK NYLON SWIVEL (M10 x 15mm)	40	090502
NYLON	50	62	TWIN BLACK NYLON BRAKE (M10 x 15mm)	40	090507

# CASTOR SERIES : FUR



**A RANGE OF CASTORS AND GLIDES FOR THE FURNITURE INDUSTRY**



## PLASTIC CORNER CASTORS

Material	Wheel Dia. mm	Overall Height mm	Load Capacity Kgs	Block Code	28mm Castor Code
WHITE NYLON	28	58	40	092118P	092118C



## PUSH FIT GLIDES WITH STEEL PIN

Material	Base Dia. mm	Base Height mm	Stem Dia mm	Stem Height mm	Load Capacity Kgs	Glide Code
BLACK	35	30	10	30	30	095114
POLYPROPYLENE	50	40	10	30	40	095200



## PLASTIC GLIDES WITH PEG AND SOCKET FITTING

Glide Type	Base Dia. mm	Overall Height mm	Load Capacity Kgs	Stem Dia mm	Stem Height mm	Glide Code
Black Plastic	65	42	40	7.4	35	096210
Chrome Plated Plastic	65	42	40	7.4	35	096211

# WHEEL SERIES - WH



## A RANGE OF WHEELS FOR HAND TRUCKS AND INDUSTRIAL USE



Wheel Dia. mm	Wheel Type	Wheel Code	Wheel Bearing	Wheel Hub Length(mm)	Wheel Hub Bore(mm)	Wheel Thread Width(mm)	Load Capacity Kgs.
---------------	------------	------------	---------------	----------------------	--------------------	------------------------	--------------------

### SOLID WHEELS

85	Nylon Pallet Roller Wheel	WNY85BB20	Ball	90	20	90	650
150	Nylon	WNY6PB25	Plain	60	25	45	300
160	Black Rubber on Plastic	EPB6W	Plain	60	20	30	130
200	Nylon	WNY8PB25	Plain	60	25	50	350
200	Black Rubber on Plastic	WPC8PB25	Plain	50	25	30	150
200	Black Rubber on Plastic	EPB8W	Plain	60	20	30	180
200	Heavy Duty Black Rubber on Plastic	WPC8RB25	Roller	60	25	45	200
200	Black Rubber on Steel	ESB8W	Roller	60	20	30	180
200	Black Rubber on Steel	WSC8RB25	Roller	45	25	30	150
250	Black Rubber on Plastic	EPB10W	Plain	75	25	40	200
250	Black Rubber on Steel	ESB10W	Roller	60	20/25	30	200
250	Black Rubber on Steel	WSC10RB25	Roller	75	25	50	200
320	Black Rubber on Steel	WSC13RB25	Roller	80	25	40	220
330	Black Rubber on Steel	WSC13PB25	Plain	75	25	60	250



### PNEUMATIC WHEELS

200	Black Tyre on Plastic	EPN8W	Roller	60	20	50	60
260	Black Tyre on Plastic	WPP10RB20	Roller	75	20	75	100
260	Black Tyre on Plastic	WPP10RB25	Roller	75	25	75	100
260	Black Tyre on Steel	WPM10RB20	Roller	75	20	75	100
260	Black Tyre on Steel	WPM10RB25	Roller	75	25	75	100
260	Flat Free on Plastic	WFP10RB20	Roller	75	20	75	150
260	Flat Free on Steel	WFM10RB20	Roller	75	20	75	150
300	Black Tyre on Steel	WPM12RB25	Roller	75	25	75	150

### PNEUMATIC WHEELBARROW WHEELS

380	Black Tyre on Plastic	HG1PB	Plain	75	25	90	150
380	Black Tyre on Steel	HG1RB	Roller	75	25	90	150

### PNEUMATIC AGRICULTURAL WHEELS-Supplied with Hub Caps

400	Black Tyre on Steel	HG116	Ball	75	25	100	250
-----	---------------------	-------	------	----	----	-----	-----

Patrick Cody Ltd.

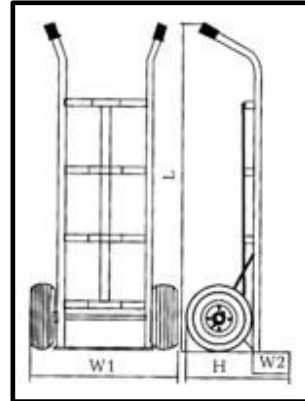
E-mail: sales@patrickcody.com

# SERIES ST: Sack Trucks



## A RANGE OF SACK TRUCKS FOR INDUSTRY

### Heavy Duty Sack-Truck



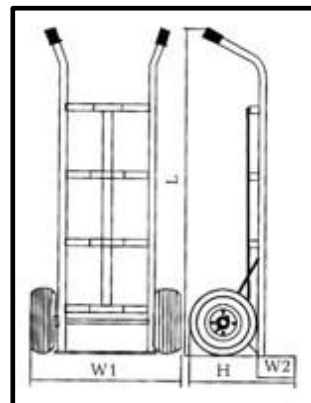
#### **Sturdy Solid Toe Sack Truck with large footplate making for easy loading and goods carrying.**

This is a sturdy 200Kg Sack Truck fitted with pneumatic wheels, making for safer transportation of goods across uneven ground or outdoors.

#### Specifications:

- Fixed Toe Plate
- 200kg maximum load capacity
- 260 x 85mm Pneumatic Tyres for easier movement especially on uneven ground
- 30mm Tubular Steel construction with Powder Coated Finish
- Dimensions: 1235 (L) x 590 (W1) x 600 (H) mm
- Toe plate width (mm): 300
- Net Weight: 13.5 kgs
- Product Code: 05HDST

### Medium Duty Sack-Truck



#### **Solid Toe Medium Duty Sack Truck with standard size footplate making for easy loading and goods carrying.**

This is a sturdy 150Kg Sack Truck fitted with pneumatic wheels, making for safer transportation of goods across uneven ground or outdoors.

#### Specifications:

- Fixed Toe Plate
- 150kg maximum load capacity
- 260 x 85mm Pneumatic Tyres for easier movement especially on uneven ground
- 25mm Tubular Steel construction with Powder Coated Finish
- Dimensions: 1170 (L) x 465 (W1) x 490 (H) mm
- Toe plate width (W2) : 220mm
- Net Weight: 10.5 kgs
- Product Code: 05MDST

Patrick Cody Ltd.

E-mail:sales@patrickcody.com

Page 13

# SERIES : INS



## A RANGE OF PLASTIC INSERTS FOR STEEL

Size Imperial	Size Metric	Wall Thickness (mm)	Code
---------------	-------------	---------------------	------

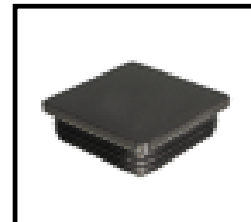
### ROUND RIBBED INSERTS

5/8"	16mm	0.8/2.0	131058
3/4"	19mm	0.8/2.5	131034
7/8"	22mm	1.0/2.5	131078
1"	25mm	1.0/2.5	131100
1-1/4"	32mm	0.8/2.5	131114
1-1/2"	38mm	1.0/3.0	131150
2"	50mm	1.0/2.5	131200



### SQUARE RIBBED INSERTS

5/8"	16mm	1.0/2.5	132058
3/4"	19mm	0.8/3.0	132034
7/8"	22mm	1.0/3.5	132078
1"	25mm	1.0/3.0	132100
-	30mm	1.0/2.5	132030
1-1/4"	32mm	1.0/3.5	132114
1-1/2"	38mm	1.0/3.5	132038
-	40mm	1.0/3.0	132040
2"	50mm	1.0/2.5	132050
4"	100mm	2.0/4.0	132400



### RECTANGULAR RIBBED INSERTS

-	40x20	1.0/2.5	134402
2"x1"	50x25	0.8/3.0	134200
-	60x30	1.0/2.5	13400
-	80x40	1.0/3.0	134804
4"x2"	100x50	2.0/4.0	134100



### ROUND FERRULES

1/2"	12.5mm	1.25/1.50	133012
5/8"	16mm	1.25/1.50	133058
3/4"	19mm	1.25/1.50	133034
7/8"	22mm	1.25/1.50	133078
1"	25mm	1.25/1.50	133100



### ROUND ANGLED INSERT

3/4"	19mm	1.5	135034
------	------	-----	--------

### ROUND ANGLED FERRULE

3/4"	19mm	1.5	135035
------	------	-----	--------

### STACKING PEGS

1/2"	12.5mm	-	137012
------	--------	---	--------

# SERIES : INS



## A RANGE OF ADJUSTABLE FEET FOR STEEL

### ZAMAK ADJUSTABLE FEET (Bullet Feet for Catering Equipment)

Box Size	Min. Height	Max. Extended Height	Code
30mm Square	25mm	52mm	05ADJ30



### NON TILT ADJUSTABLE FEET

Base Size	Thread Dia.	Thread Length	Code
25mm	M8	25mm	138001
40mm	M8	25mm	138008
40mm	M10	40mm	138010
47mm	M10	95mm	138120



### TILT ADJUSTABLE FEET

40mm	M8	25mm	138108
40mm	M10	40mm	138110



### THREADED INSERTS-PLASTIC

Size Imperial	Size Metric	Wall	Thread	Code
1"	25mm	1.5/2.0	M8	136108
1"	25mm	1.5/2.0	M10	136110
-	30mm	1.5/2.0	M8	136030
-	30mm	1.5/2.0	M10	136080
-	40mm	1.5/2.0	M10	136090



### THREADED INSERTS-STEEL

1"	25mm	16G	M10	136180
----	------	-----	-----	--------