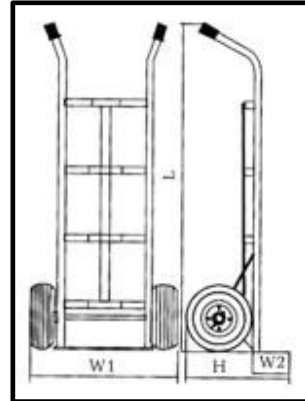


# SERIES ST: Sack Trucks



## A RANGE OF SACK TRUCKS FOR INDUSTRY

### Heavy Duty Sack-Truck



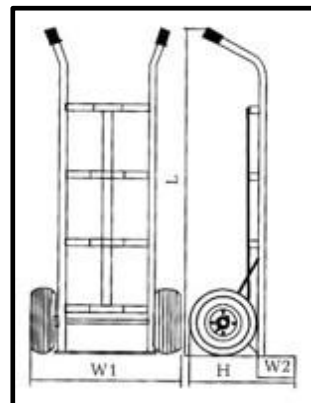
#### **Sturdy Solid Toe Sack Truck with large footplate making for easy loading and goods carrying.**

This is a sturdy 200Kg Sack Truck fitted with pneumatic wheels, making for safer transportation of goods across uneven ground or outdoors.

#### Specifications:

- Fixed Toe Plate
- 200kg maximum load capacity
- 260 x 85mm Pneumatic Tyres for easier movement especially on uneven ground
- 30mm Tubular Steel construction with Powder Coated Finish
- Dimensions: 1235 (L) x 590 (W1) x 600 (H) mm
- Toe plate width (mm): 300
- Net Weight: 13.5 kgs
- Product Code: 05HDST

### Medium Duty Sack-Truck



#### **Solid Toe Medium Duty Sack Truck with standard size footplate making for easy loading and goods carrying.**

This is a sturdy 150Kg Sack Truck fitted with pneumatic wheels, making for safer transportation of goods across uneven ground or outdoors.

#### Specifications:

- Fixed Toe Plate
- 150kg maximum load capacity
- 260 x 85mm Pneumatic Tyres for easier movement especially on uneven ground
- 25mm Tubular Steel construction with Powder Coated Finish
- Dimensions: 1170 (L) x 465 (W1) x 490 (H) mm
- Toe plate width (W2) : 220mm
- Net Weight: 10.5 kgs
- Product Code: 05MDST

Patrick Cody Ltd.

E-mail:sales@patrickcody.com

Page 13

Phone: 0505-43154

Fax:0505-43110